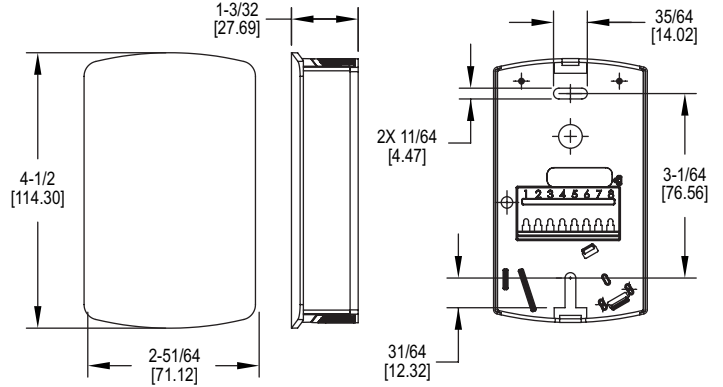


WALL MOUNT HUMIDITY/TEMPERATURE TRANSMITTER

2% or 3% Humidity Sensor, Passive Temperature Outputs



The **Series RHPLC Wall Mount Humidity/Temperature Transmitter** is a compact economical sensor for the building automation marketplace. The stylish housing is well vented to provide air flow across the sensor to improve measurement accuracy. Each unit utilizes a capacitive polymer sensing element to deliver a proportional analog output. A combination humidity and temperature model can be configured with current, voltage, RTD, or thermistor output. A wide selection of passive RTD or thermistor temperature sensors are available in this series.

BENEFITS/FEATURES

- Reduced installation cost with combined humidity and temperature sensing
- Wide application environments from a large selection of temperature sensors and 2% to 3% accuracies

APPLICATIONS

- Air economizers
- Room comfort monitoring

MODEL CHART							
Example	RHPLC	-3	N	2	A	-FC	RHPLC-3N2A-FC
Series	RHPLC						Humidity/temperature transmitter
Accuracy		2					2% accuracy
		3					3% accuracy
Housing			N				North American style wall mount
Humidity Output				1			Current 4-20 mA
				2			Voltage 0-10 VDC
				3			Voltage 0-5 VDC
Temperature Output					0		None
					1		Current 4-20 mA
					2		Voltage 0-10 VDC
					3		Voltage 0-5 VDC
					A		10K Ω @ 25°C thermistor type III
					B		10K Ω @ 25°C thermistor type II
					C		3K Ω @ 25°C thermistor
					D		100 Ω RTD DIN 385
					E		1K Ω RTD DIN 385
					F		20K Ω @ 25°C thermistor
Options						FC	Factory calibration certificate (3% accuracy units)

ACCESSORIES	
Model	Description
APT-40-5DN	AC power transformer, 120/208/240/277/480 VAC input, 24 VAC isolated output, 40 VA, dual hub
SCD-PS	100-240 VAC/VDC to 24 VDC power supply

SPECIFICATIONS

Sensor: Capacitive polymer.
Relative Humidity Range: 0-100% RH.
RH Accuracy: ±2% 10 to 90% RH @ 25°C for 2% accuracy units; ±3% 20 to 80% RH @ 25°C for 3% accuracy units.
RH Hysteresis: ±0.8%.
RH Repeatability: ±0.1% typical.
Temperature Output Range: -40 to 140°F (-40 to 60°C).
Passive Thermistor Temperature Sensor Accuracy: ±0.36°F @ 77°F (±0.2°C @ 25°C).
Accuracy RTD Temp Sensor: DIN Class B; ±0.3°C @ 0°C (±0.54°F @ 77°F).
Accuracy Current/Voltage Temperature Output: ±0.9°F @ 77°F (±0.5°C @ 25°C).
Temperature Limits: Operating: -40 to 140°F (-40 to 60°C); Storage: -40 to 176°F (-40 to 80°C).
Power Requirements: 10-35 VDC for 4-20 mA or 0-5 VDC output; 15-35 VDC for 0-10 VDC output; 10-29 VAC for 0-5 VDC output; 15-29 VAC for 0-10 VDC output.
Response Time: 8 s (τ₆₃).
Electrical Connections: Screw terminal block.
Drift: <0.25% RH/year.
Enclosure Material: Polycarbonate.
Weight: 4.4 oz (125 g).
Compliance: CE.